



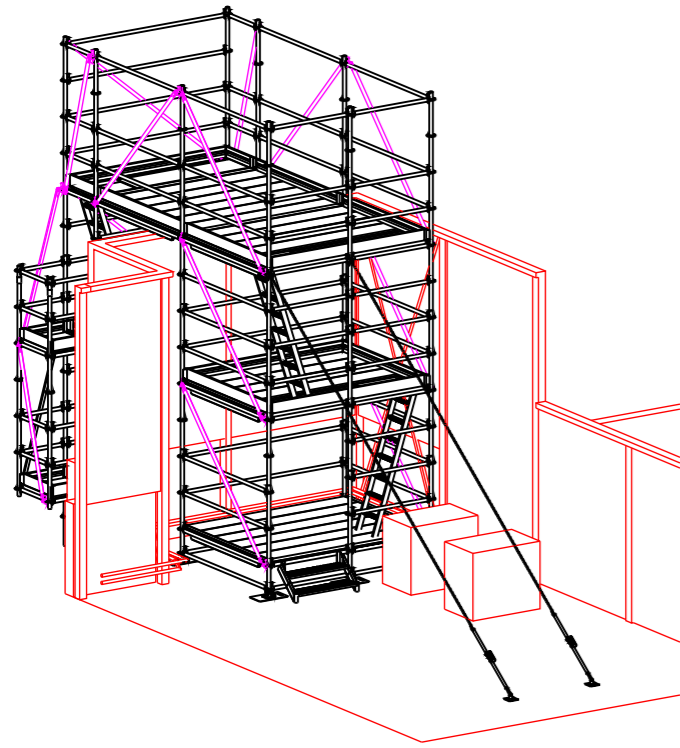
SCAFFOLDING SAFE WORKING LIMITS - SWL FOR LIGHT DUTY LOADS

- 0 kg/m² UDL - Uniform Distributed Load 
- 0 kg Concentrate Point Load 
Applied in 0.01m² max. area.
 If this concentrate load is used, distributed load is reduced to: 0 kg/m²
- 1 Allowable Loaded Working Levels (Vertically)

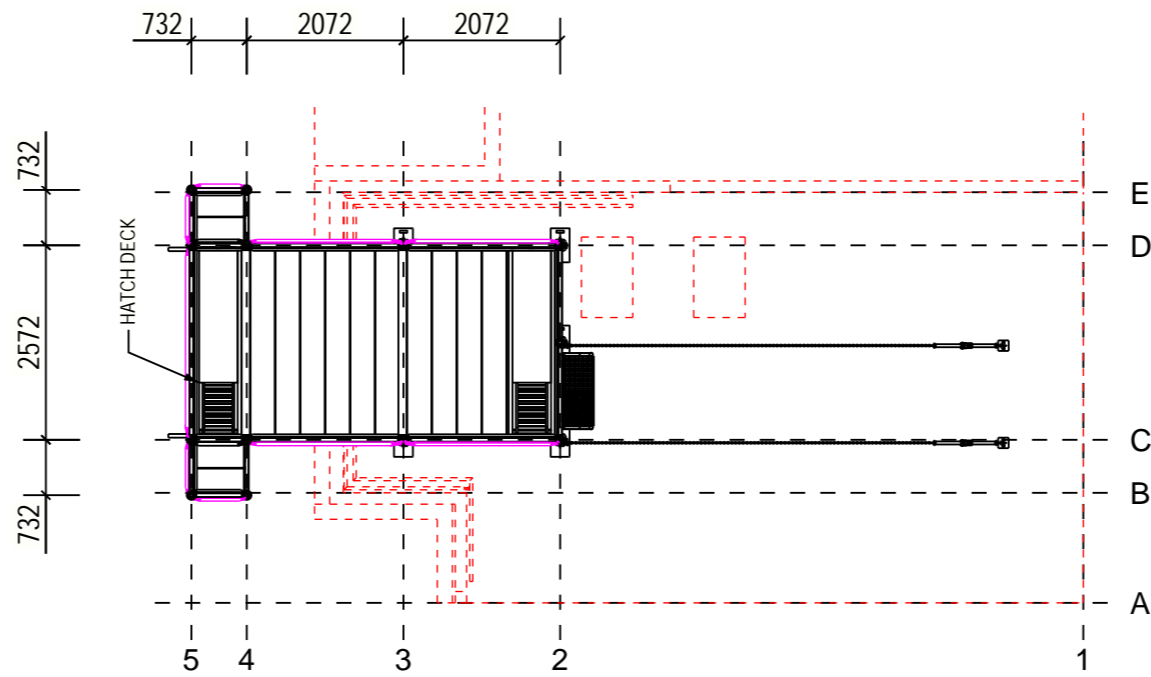


Rev	Amendments	By	Date

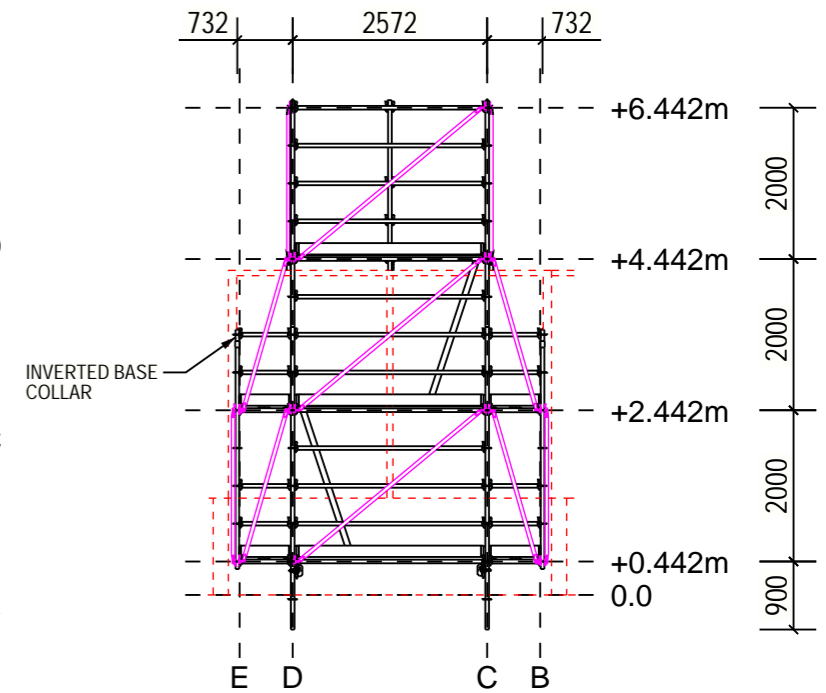
Client			
Project			
Designed	Title		Job No.
Drawn	ISOMETRIC VIEW		Drawing No. S02
Checked	RPEQ		Rev
			Concept



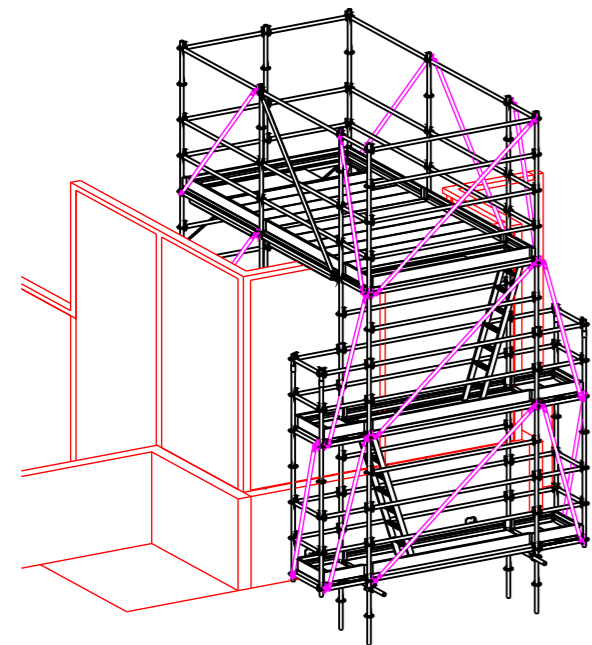
ISO INBOARD @ 1:100



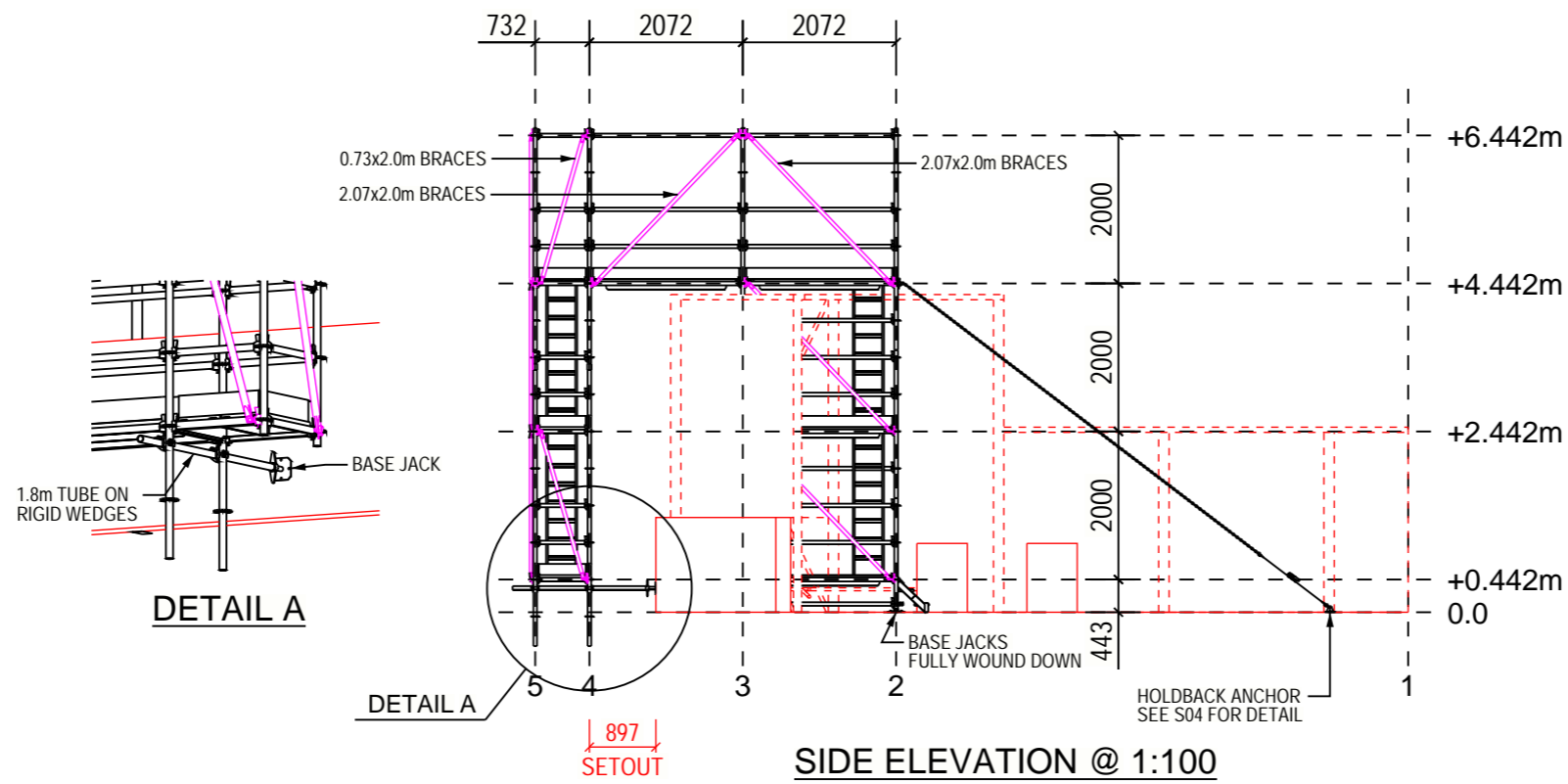
PLAN @ 1:100



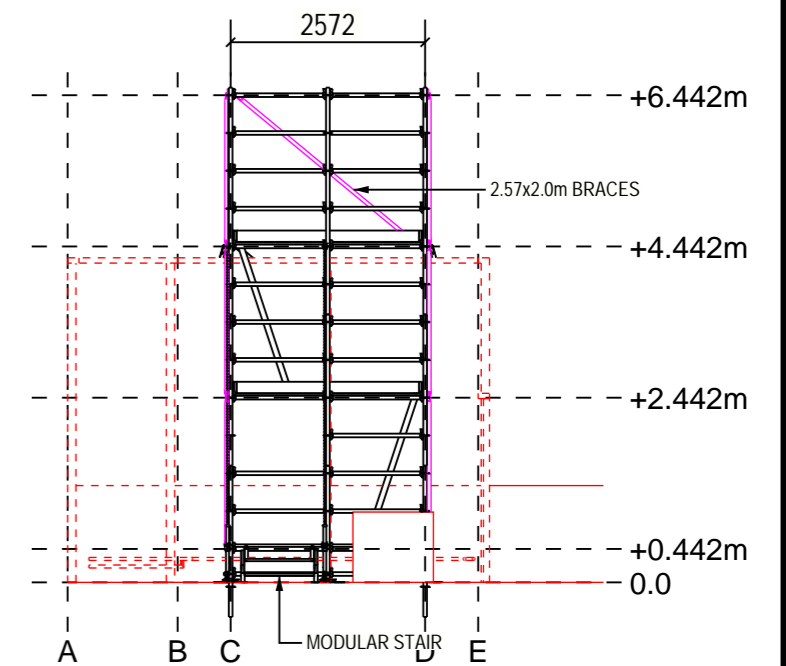
OUTBOARD ELEVATION @ 1:100



ISO OUTBOARD @ 1:100



SIDE ELEVATION @ 1:100



INBOARD ELEVATION @ 1:100



SCAFFOLDING SAFE WORKING LIMITS - SWL FOR LIGHT DUTY LOADS

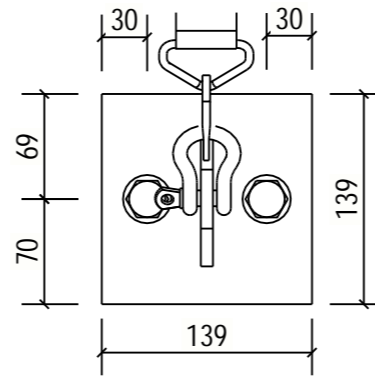
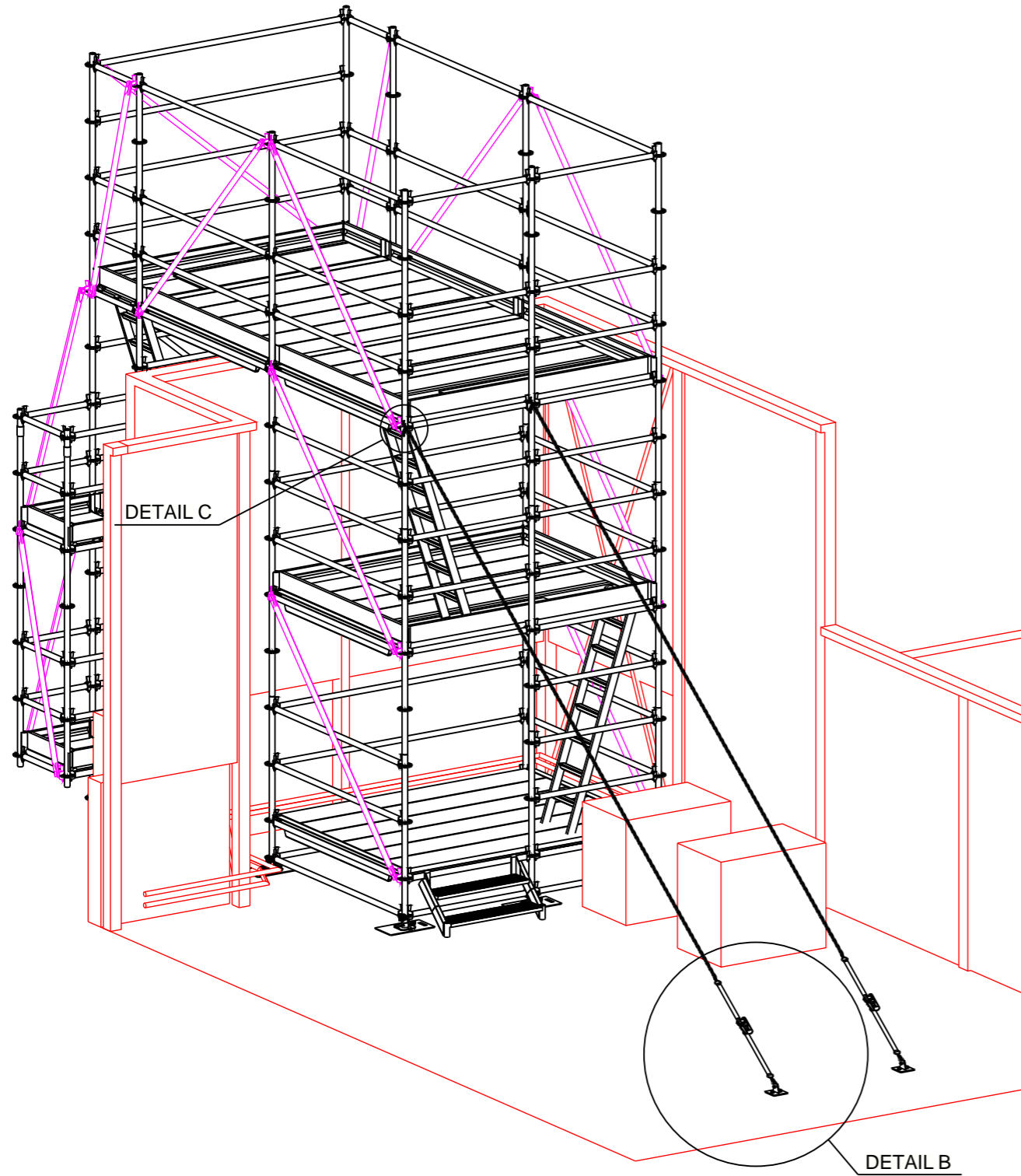
0 kg/m ²	UDL - Uniform Distributed Load	
0 kg	Concentrate Point Load <small>Applied in 0.01m² max. area. If this concentrate load is used, distributed load is reduced to: 0 kg/m²</small>	
1	Allowable Loaded Working Levels (Vertically)	

QR Code



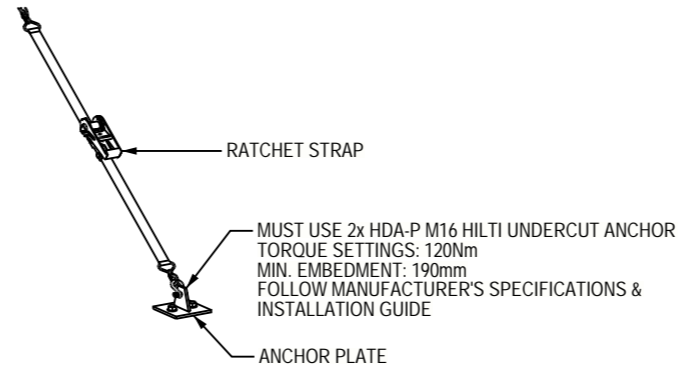
Rev	Amendments	By	Date

Client		Project	
Designed		Title	
Drawn		GENERAL ARRANGEMENT	
Checked		Job No.	
RPEQ		Drawing No.	S03
		Rev	Concept



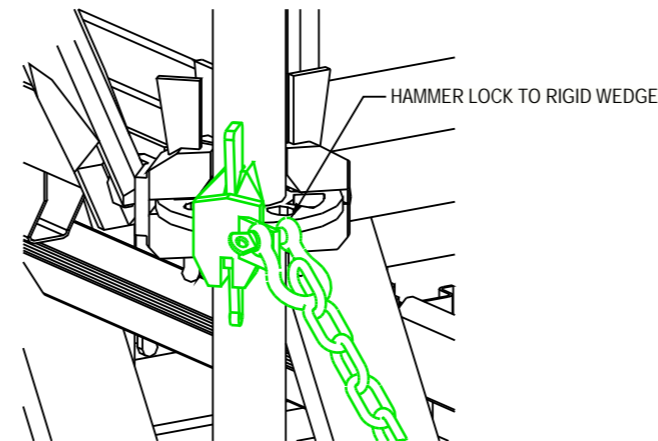
DETAIL- A

Scale: 1:5



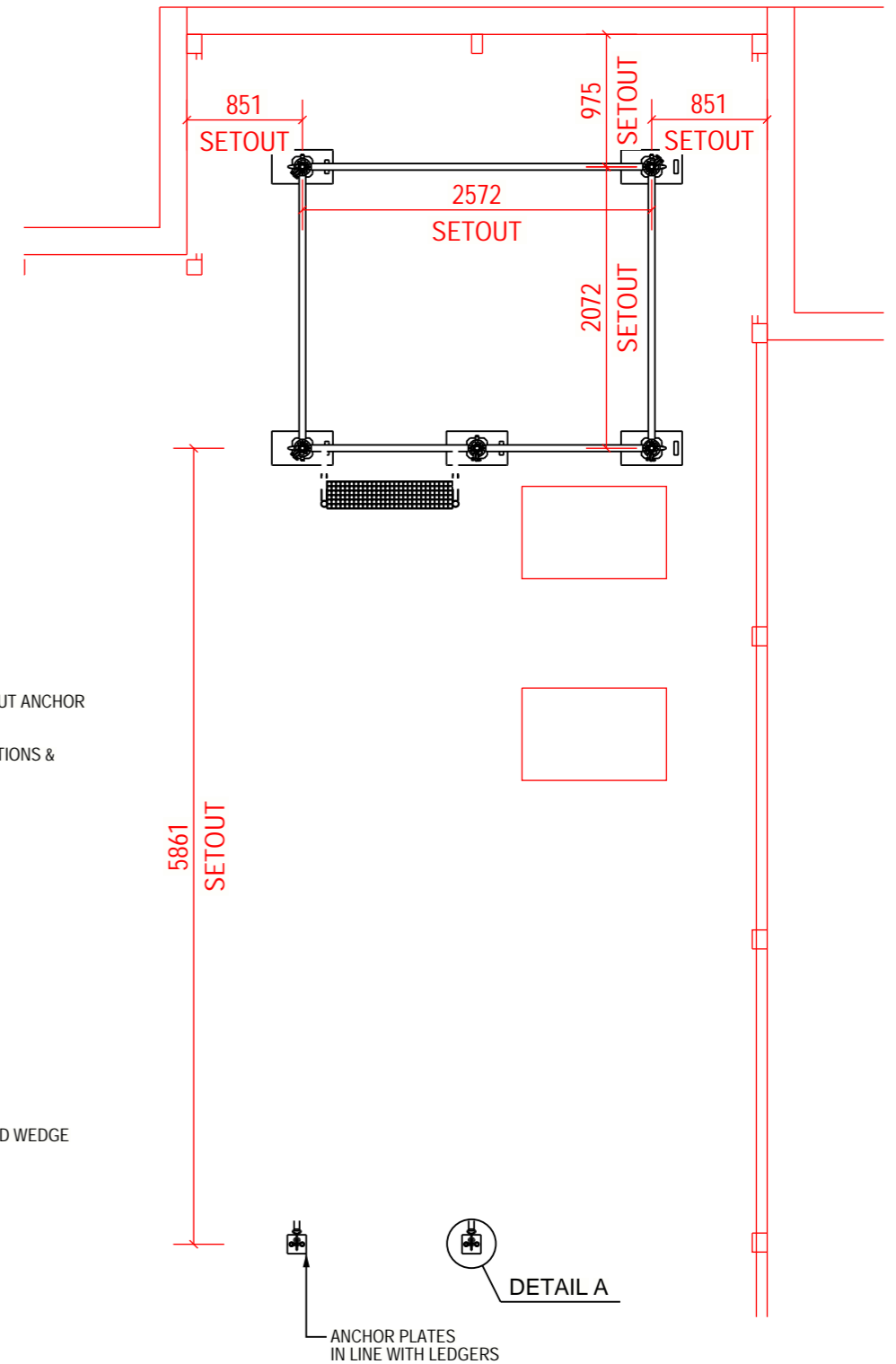
DETAIL- B

Scale: 1:25



DETAIL- C

Scale: 1:5



SCAFFOLDING SAFE WORKING LIMITS - SWL FOR LIGHT DUTY LOADS

0 kg/m ²	UDL - Uniform Distributed Load	
0 kg	Concentrate Point Load <small>Applied in 0.01m² max. area. If this concentrate load is used, distributed load is reduced to: 0 kg/m²</small>	
1	Allowable Loaded Working Levels (Vertically)	

QR Code



Rev	Amendments	By	Date

Client		Project		Job No.		Drawing No.		Rev	
Designed		Title							
Drawn		SET OUT PLAN							
Checked									
RPEQ	-								
						S04			
						Concept			